

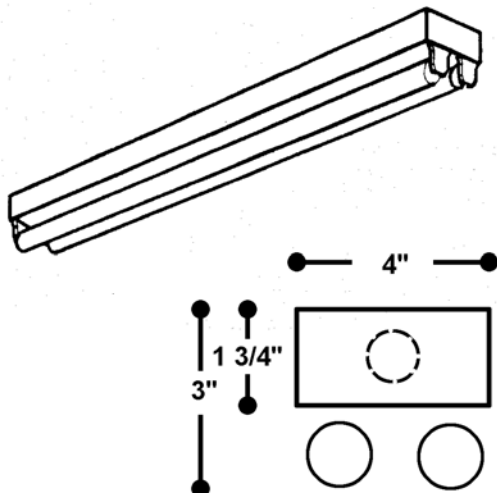
# STRIP - FLUORESCENT

TWO LAMP T8 ELECTRONIC

MEETS NYC REQUIREMENTS

Optional Specular Aluminum Reflector

**SERIES 216 NYSE**



PROJECT:

FIXTURE TYPE:

CATALOG NO.:

VOLTS:

BALLAST TYPE:

DATE:

**APPLICATIONS:** The T8 strip offers the specifier an economical strip of compact design that occupies minimum space. T8 lamps with electronic ballasts offer high lumen output. Ideal for a variety of lighting needs. Precision construction and quality components assure long trouble free life. Optional specular aluminum reflector.



Optional Specular Reflector

## SPECIFICATIONS

**CONSTRUCTION:** The housing and ends are die formed of heavy code gauge cold rolled steel (CRS), rigidly fabricated, ends riveted/bolted to assure true alignment.

**Optional REFLECTOR:** Highly Specular reflectors with minimum 87-95% reflectance, precision formed for maximum performance. Custom distributions available.

**BALLAST:** 17w, 25w, or 32w, fully electronic T8, parallel instant start, high power factor, Class "A" sound rated, UL listed for 120 V 60 Hz operation are standard. Ballasts <10% THD along with other voltages and frequencies are also available. (CONSULT FACTORY).

**MOUNTING:** Installed flush with ceiling surface or in coves and cabinets, individually or in continuous rows. For continuous mounting, end knock outs may be removed and units joined together. Adequate knockouts and holes are provided for mounting and feeds.

**FINISH:** All steel components parts are corrosion protected and coated baked white synthetic polyester for maximum durability.

## ORDERING INFORMATION

CATALOG #	LAMP	BALLAST	LENGTH
216217T8	2-F17W-T8	ELECTRONIC	24"
216225T8	2-F25W-T8	ELECTRONIC	36"
216232T8	2-F32W-T8	ELECTRONIC	48"
216225T8T	4-F25W-T8	ELECTRONIC	72"
216232T8T	4-F32W-T8	ELECTRONIC	96"

**OPTIONAL:** Specular Reflector (add suffix "RSP") and specify reflectivity  
Emergency battery backup (add suffix "EML")

**CROWNLITE MFG. CORP.** 1546 Ocean Ave., Bohemia, L.I., N.Y. 631.589.9100, Fx 631.589.4584

Email: [info@crownlite.com](mailto:info@crownlite.com) Web: [www.crownlite.com](http://www.crownlite.com)

Information supplied may change without notice. Consult factory for verification, samples, and minimum quantities. Copyright 2007